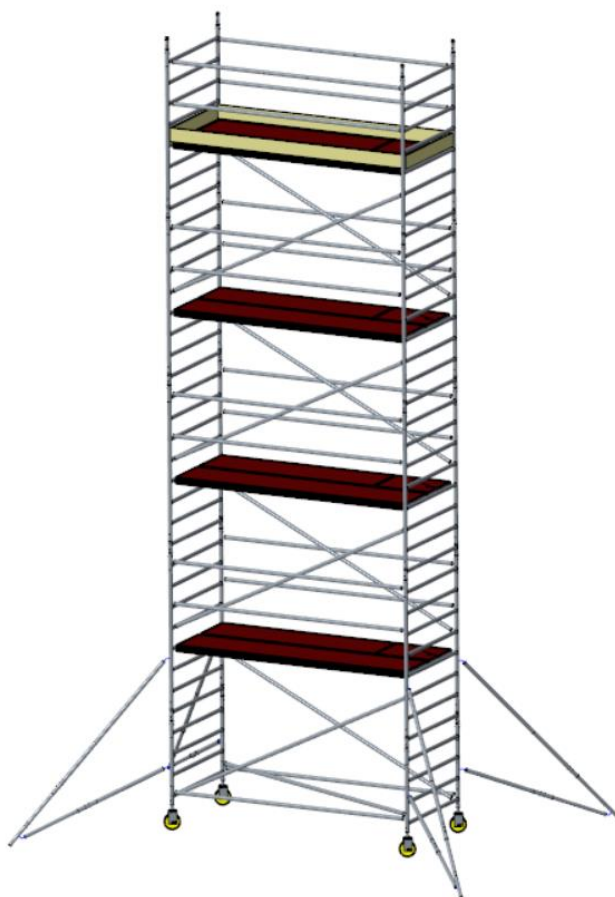


**INSTRUCTION MANUAL**

**CUSTERS Tower Scaffold  
HANDY Narrow and Wide**



Max load: 3000 lbs. / 75lb/ft<sup>2</sup> (Heavy duty) depending on version.

Max platform height: 39.4 feet indoors

26.3 feet outdoors

READ THESE INSTRUCTIONS FULLY BEFORE ATTEMPTING TO ERECT, USE or  
DISMANTLE THIS PRODUCT.

February 2023

## Contents

1. Introduction .....	3
2. Warranty and liability .....	5
3. Inspection of the delivery .....	5
4. Safety instructions .....	6
4.1 Inspection before erecting .....	6
4.2 Erecting .....	6
4.3 Lifting of parts .....	7
4.4 Outriggers / elbow outriggers .....	8
5. Mobile scaffold .....	9
6. Use .....	14
7. Steering / rolling .....	16
8. Anchoring .....	16
9. Dismantling of the mobile scaffold .....	16
10. Maintenance .....	17
11. Spare parts .....	18
11.1 Components list .....	18
11.2 Assembly table .....	18

© Custers Hydraulica B.V., Venray - the Netherlands, February 2023

All rights reserved.

No part of this publication may be reproduced / copied or published by photography / printing / microfilm / video / CD-ROM / Internet or any other form, without prior permission in writing by Custers Hydraulica B.V. No rights can be derived from this publication.

## 1. Introduction

Thank you for purchasing a CUSTERS tower scaffold. The CUSTERS tower scaffold is part of our wide range of aluminum scaffold-products.


If assembled according to the instructions given in this manual, the CUSTERS tower scaffold meets the requirements of the EN1004 and standards of CAN/CSA S269.2-16, ANSI/SSFI Standard SC100-5/05 and OSHA 29CFR PART 1926.

It is approved according to the DIN 4422, group 3 regulations by several international notified bodies. (TÜV).

The CUSTERS scaffold is available in the following sizes:

- Scaffold - platform length      5.9 ft. 8.2ft
- Scaffold - frame width            2.2ft or 4.3ft

The maximum load that should never be exceeded is 3000 lbs. Subject to configuration and components utilized. The maximum workload per platform, evenly disbursed is 75lb/ft<sup>2</sup> (Heavy duty). (See page 13 for more info).

 This manual instructs you step by step how to erect your scaffold in an easy and safe way.

**FAILURE TO READ, UNDERSTAND AND FOLLOW THESE INSTRUCTIONS AND ALL SAFETY RULES COULD RESULT IN SERIOUS INJURY OR DEATH.**



**WARNING:** METAL IS CONDUCTOR OF ELECTRICITY: ALWAYS CHECK FOR POWER LINES, OTHER LIVE WIRES OR CIRCUITS. DO NOT USE IF CONTACT IS POSSIBLE.



**WARNING:** Erecting scaffolding should only be performed by trained, competent and qualified professionals familiar with local, state, or provincial safety regulations. Always consult and adhere to guidelines set forth by governing bodies such as OSHA in the United States or CCOHS in Canada to ensure the safety of workers and the public.

The user is responsible for having this manual at the erecting / working site. The user is also responsible for having the manual in the site-supervisor's possession.

If you have any questions regarding this manual, please do not hesitate to contact your supplier or the manufacturer.

**Manufacturer:**

Custers Hydraulica B.V.  
Smakterweg 33  
5804 AE Venray, The Netherlands  
Telephone: +31 (0) 478 553 000  
E-mail: [info@custers.nl](mailto:info@custers.nl)  
Website: [www.custers.nl](http://www.custers.nl)

**Supplier:**

## 2. Warranty and liability

CUSTERS warrants that the products and accessories will be free from defects in material and workmanship for a period of 12 month from the date of delivery.

Please note that this warranty does not cover damage caused by improper maintenance, misuse, or modifications of any part of the product.

Please note that to process your claim, you will need to provide proof of purchase of the product, pictures, and a summary of the claim. Other information may be required.

For all defects reported to us within the warranty period our liability is limited to repairing or replacing any defective products based on our opinion and at no charge to the customer. If for discharge of our liability under the warranty we replace (parts of) products supplied by us, the products (or parts) replaced will become our property. All costs and expenses exceeding the liability specified above, including but not limited to transport charges, travel expenses and the cost of disassembly and reassembly, will be at the expense of the customer. If for the discharge of our liability under this warranty we carry out repairs to products supplied by us, the products concerned shall remain entirely at the risk of the customer.

Our responsibility is limited and excludes:

- a. if any defect is the result of abuse, misuse or inexpert use, or the result of other causes than unfitness of material or workmanship.
- b. if the cause of any defect cannot be conclusively proved.
- c. if our instruction for the use of the products and other specifically applicable warranty instructions have not been accurately and fully observed.

Our warranty will cease if during the warranty period the customer (or any person acting on the customer's instruction) has subjected the products supplied by us or our authorized suppliers to unauthorised modifications and/or repairs.

## 3. Inspection of the delivery

The customer must immediately inspect the tower scaffold, including all parts and any accessories upon delivery. Contact your supplier immediately if parts are damaged and/or the scaffold is incomplete. **DO NOT USE THE SCAFFOLD IF THERE ARE ANY MISSING PARTS OR DAMAGE IS IDENTIFIED.**

## 4. Safety instructions

### 4.1. Inspection before erecting

Check that the workers (at least two), meet the requirements to erect, inspect, use or disassemble scaffolding in accordance with provisions and definitions set out in OSHA (Occupational Safety and Health Administration) in the United States or in Canada, generally, the Canadian Centre for Occupational Health and Safety (CCOHS). In both United States and Canadian regulations, a “competent person” is generally someone capable of identifying existing and predictable workplace hazards and has the authority or authorization to correct or eliminate them. These individuals must also be qualified through knowledge, training, and experience to perform the work safely and is familiar with the applicable safety regulations.

Make sure that:

- The surface is flat and hard, and free of hazards.
- The area is free from obstacles, both on the ground and above.
- The wind-conditions allow working with the scaffold (see chapter 6).
- All parts and ropes required for pulling up material, are present at the site.
- Gamaged, wrong or non-original parts are never used.

### 4.2. Erecting

The scaffold erection as described in the erection instructions, must be done by at least two persons. Always use guardrails during the erection, where necessary also use temporary ones and or fall arrest equipment where required by law.

The scaffold tower must be erected on a flat surface (to be checked with a levelling-instrument); adjustments are possible by turning the castor wheel or jack plate spindle nuts, the wheels must always be locked, except during rolling/steering. Make sure that the wheels are secured, either by turning the spindle nut or the locking cam over the edge of the ring.

The platforms must be secured by sliding the wind-securing pin under the frame rung.

The frames must be secured with frame securing clips.

The horizontals/guardrails must be mounted on the frames with the open side of the claw pointing out to the scaffold outside edges.

The working-floor must be equipped with at least one trapdoor-platform, hip-guardrails knee-guardrails and toe-boards around this platform.

The resting-floor should always be equipped with at least one trapdoor-platform and hip-guardrails. This resting-floor must be mounted at every 13 ft. height. The rest-floor will be changed into a working-floor by mounting guardrail-horizontals at knee-height and toe-boards.

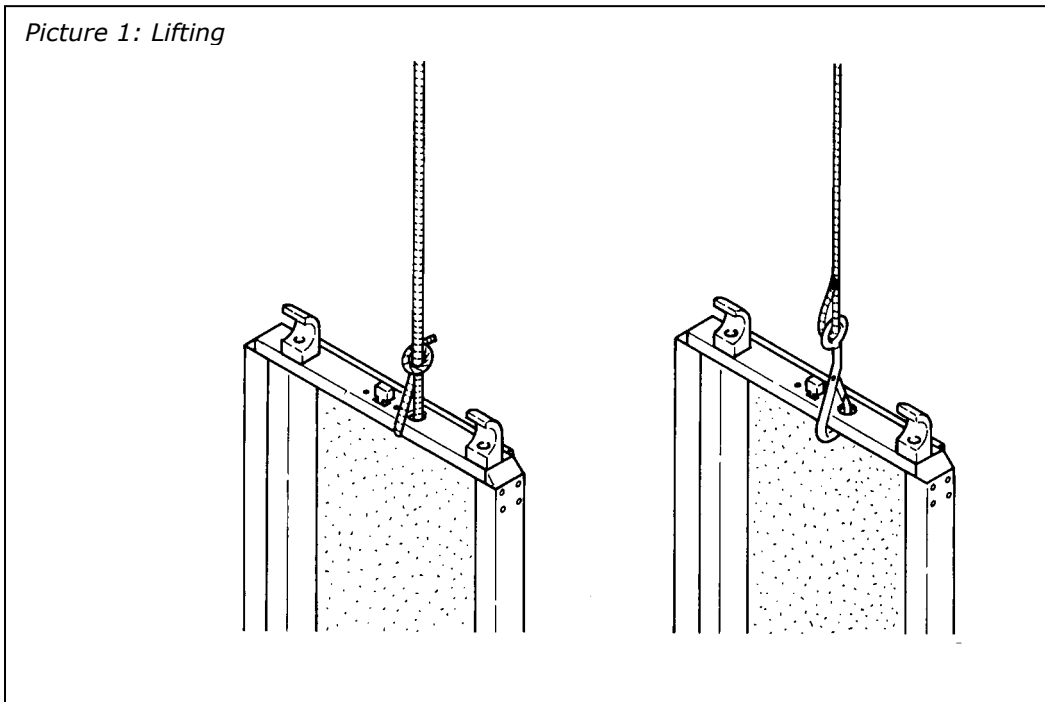
### 4.3. Lifting of parts

Lifting or pulling up parts should be done by handing the parts from one platform to the other. Parts can also be pulled up by using a strong rope. Use a proper knot, noose or hook to connect the parts (see picture).

Lifting or lowering parts, materials and tools with a rope should be done on the inner side of the scaffold.

It is not allowed attaching lifting equipment onto a free-standing scaffold.

*Picture 1: Lifting*



## 4.4. Outriggers / elbow outriggers

The outriggers / elbow outriggers as described in the matrix must always be utilized as soon as the lower part of scaffold reaches 6.6 ft. in height.

You must follow the composition-matrix to ensure when and which outrigger dimension (large / small) should be used. Pay close attention to ensure you work safely at heights (see paragraph 11.2).

The instructions related to the outriggers dimensions as mentioned in picture 2, are to be strictly followed.

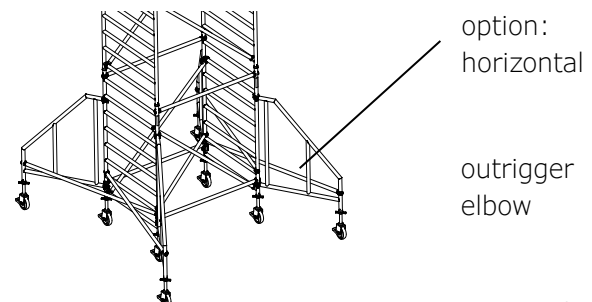
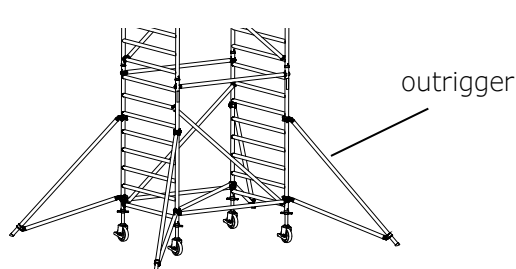
Disregarding these instructions imply that you should be using another form of securing the scaffolding to the working surface or building by use of additional ballast weight, anchors or through the approval of qualified engineer (contact your supplier).

Small elbows may be replaced by small outriggers and large elbows may be replaced by large outriggers, provided that the dimensions of elbows and outriggers are similar. This means that, seen from above, the outriggers must be put in the same position as the elbows.

Picture 2: Dimensions

- A. Small elbow, length: 4.3ft
- B. Large elbow, length: 6.6ft
- C. Small elbow, length: 4.3ft
- D. Large elbow, length: 6.6ft

- 1) Horizontal, length: 8.2ft  
art.no: 9501.200.030
- 2) Horizontal length: 5.9ft  
art.no: 9501.200.048

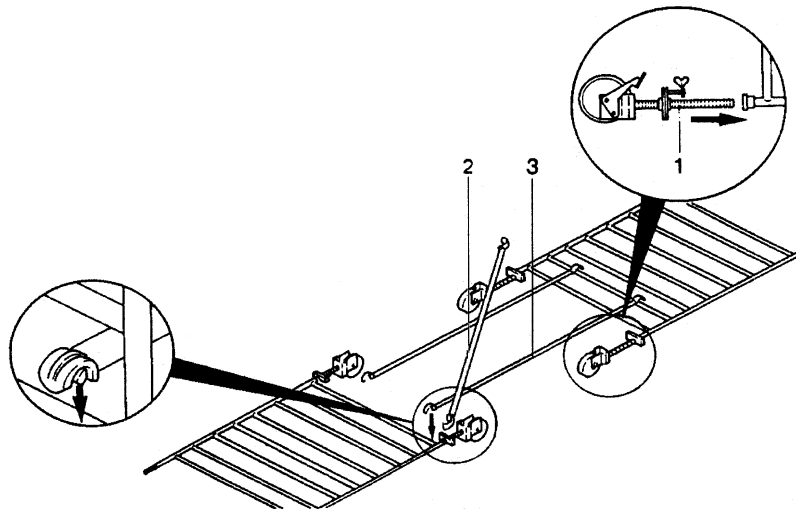




## 5. Mobile scaffold

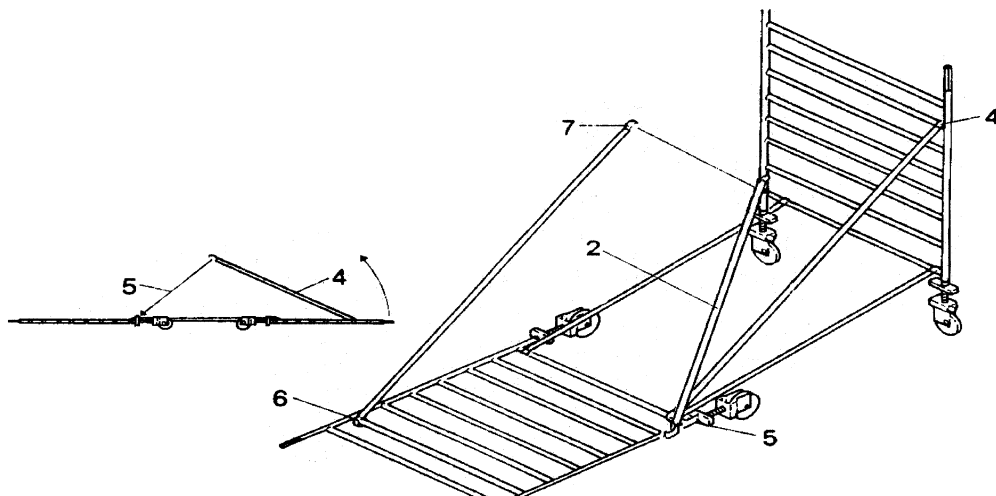
Picture 3-A:

- put in wheels (1)
- Horizontals are marked with **RED** coloured brace claw blocks.
- place Horizontals (3)



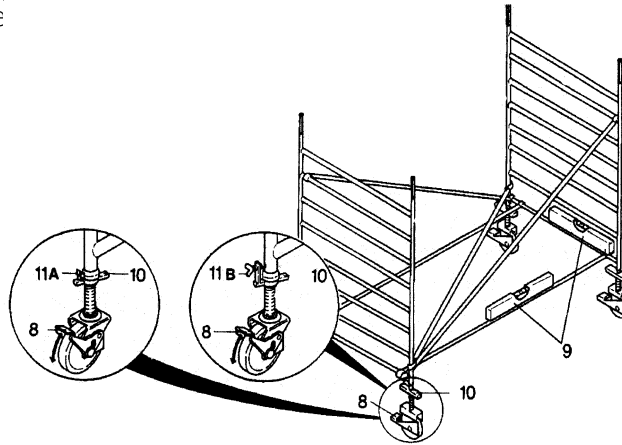
Picture 3-B:

- put Diagonal (4) on 7th rung
- put Diagonal (5) on 1st rung
- put Diagonal (6) on 7th rung
- put Diagonal (7) on 1st rung
- Horizontal-Diagonals are marked with **YELLOW** coloured brace claw blocks.
- place Horizontal-Diagonal (2)



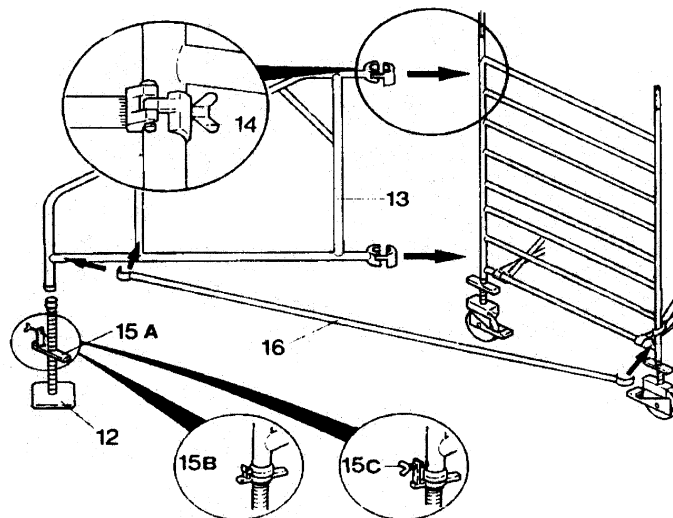
Picture 3-C:

- lock brakes (8)
- level (9)
- level by turning spindles (10)
- lock locking cam (11 A) or turn wing nut (11 B)  
(Depending on purchase)



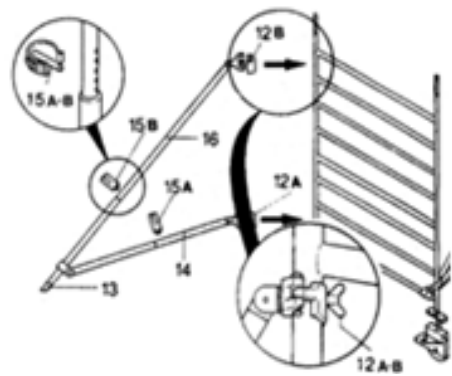
Picture 3-D1: Elbow outriggers

- put in the foot plates 12)
- attach outriggers (13)
- loosely attach claws (14)
- put footplates on the ground by turning the spindles (15 A)
- lock locking cam (15 B) or turn wing nut (15 C) (depending on purchased model)
- place Diagonal (16), taking the dimensions into account (paragraph 4.4)
- firmly attach claws (14)



Picture 3-D2: Outriggers

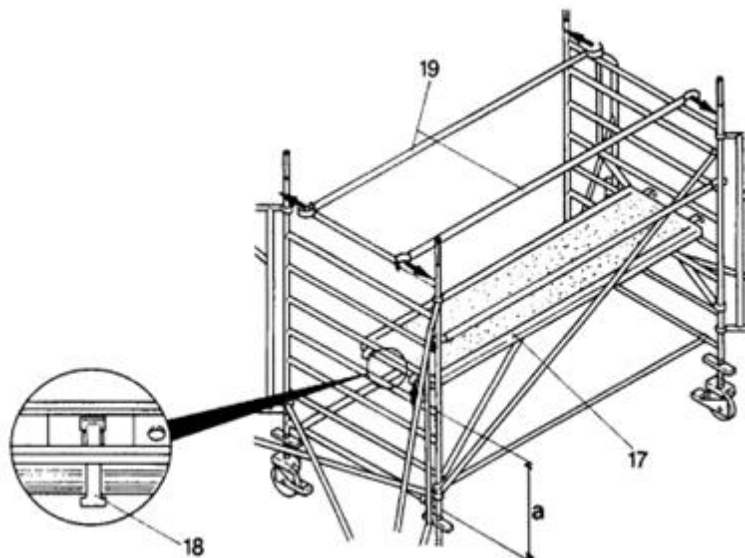
- position and loosely attach highest claw (12B) directly under the rung to prevent movement
- adjust length of higher tube (16) in such a way that rubber foot (13) is well positioned on the ground, then secure tube with a securing clip (15B).
- Outrigger-width must be min. 4.3 ft. for small outrigger and 6.6 ft. for large outrigger.
- adjust length of lower tube (14), so that lower claw (12A) can be attached on post.
- secure lower tube with a securing clip (15A)
- Loosely attach lower claw
- put the outriggers on the right position (see dimensions, paragraph 4.4)
- firmly attach claws (12A and 12B)



Picture 3-E:

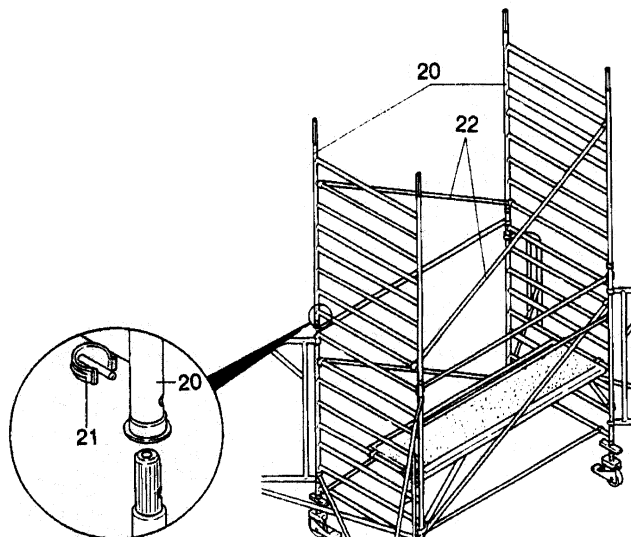
- platform (17) on 4th rung
- lock wind securing-lock (18)
- mount Horizontals (19)

a: 3-rung distance (=2.5ft.)



Picture 3-F:

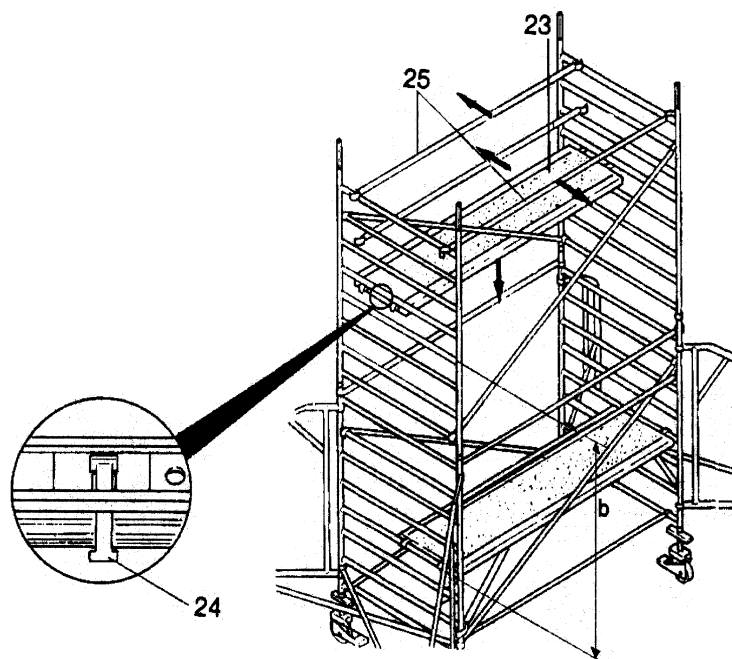
- mount frames (20)
- attach 4 frame securing clips (21)
- mount Diagonals (22)



Picture 3-G:

- place platform (23)
- lock wind securing-lock (24)
- mount Horizontals (25)

b: 8-rung distar



Picture 3-H:

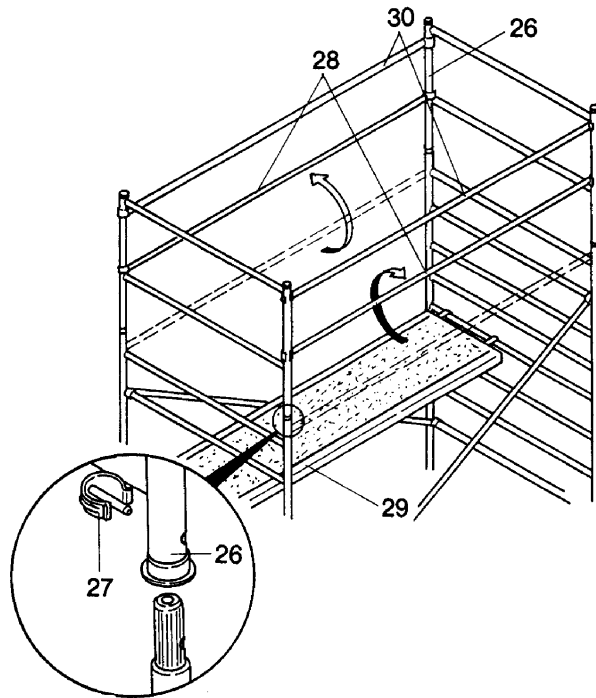
- place guardrails (26)
- attach 4 frames securing clips (27)
- place Horizontals (28)
- reposition the platforms (29) according to schedule

From platform during erection\*      To final rest/ working floor\*

0ft	0ft
3.3ft	26.2ft
23ft	26.2ft
9.8ft	13.1ft
16.4ft	13.1ft

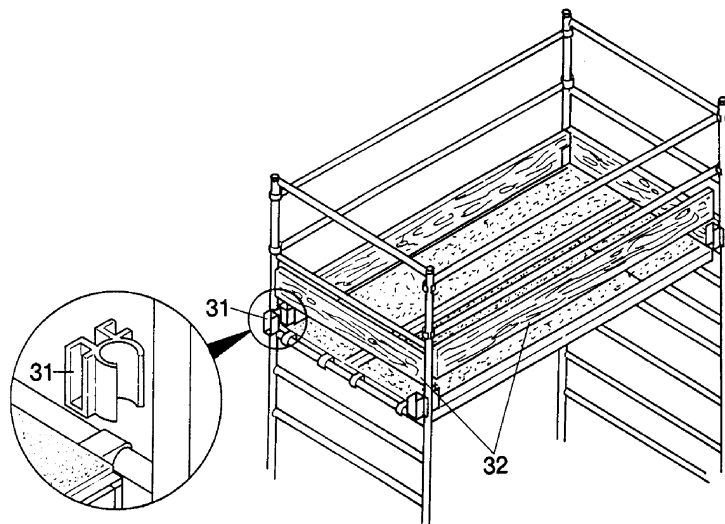
\* Measured from the lowest frame-rung

- place Horizontal (30)



Picture 3-I:

- attach toe board-holders (31)
- mount toe boards (32) two long & two short ones



## 6. Use

Prior to every use you must check whether:

- the base of the mobile scaffold is level and secure with all parts and outriggers etc.
- the total composition / construction is correct and complete.
- there is no change in conditions, which affect the safe use of the scaffold.

The mobile scaffold is built to provide safe access to a site it is not allowed using the scaffold as a stairway-tower for other constructions. It is also prohibited using it as hanging scaffold or using it for stepping over to other constructions.

It is strongly forbidden using bridges between scaffolds or between a scaffold and a building, unless you use scaffolds / bridges which have been produced and calculated especially for these purposes.

The maximum workload per platform is 75lb/ft<sup>2</sup> (Heavy duty). The total load for the complete tower may not exceed 3000 lbs. Based on these rules, the following overview must be followed.

Floor dimensions	Max loading condition
2.2 ft x 5.9 ft	3 working levels can be loaded with 75lb/ft <sup>2</sup> , so 879 lbs each working level. (Total: 2637lbs)
4.3 ft x 5.9 ft	1 working level can be loaded with 75lb/ft <sup>2</sup> , so 1758 lbs each working level. (Total: 1758lbs)
2.2 ft x 8.2 ft	2 working levels can be loaded with 75lb/ft <sup>2</sup> , so 1231 lbs each working level. (Total: 2462lbs)
4.3 ft x 8.2 ft	1 working level can be loaded with 75lb/ft <sup>2</sup> , so 2462 lbs each working level. (Total: 2462lbs)

It is not allowed to jump on rest / working platforms; the trapdoor must always be closed, except when you are climbing up or down, however: always to be closed after passing.

Maximum platform height:

- inside : 39.4 feet
- outside : 26.2 feet

You may only climb from the inside of the scaffold frames.

Do not put boxes, step stools, buckets, ladders or other equipment on the platform in order to gain additional height. It is forbidden to work on the scaffold if the wind force is stronger than 6 Beaufort (38-49 KPH; 25-31 MPH; big leaves move, umbrellas bend, windspeed, large waves, large branches in motion is 36-46 ft/s).

If wind force higher than 6 Beaufort is predicted, the mobile scaffold must be dismantled, anchored or transported to a wind free area. This should also be done if the mobile scaffold is not in use.

Please be careful with openings between buildings, edges and spots of buildings, extra wind forces could be possible.

The maximum allowed horizontal force is 66 lbs., so be aware of this when you exercise horizontal forces (e.g., drilling), which could endanger the stability of the scaffold.

It is not allowed to step onto horizontals, diagonals, guardrails and guardrail-horizontals.

It is not allowed to attach wind-catching materials such as advertising boards or canvasses onto free-standing scaffolds.

Do not expose the scaffold to aggressive liquids or gases.



## 7. Steering / rolling

The scaffold is only rolled lengthways by hand from the ground. During this move you may not exceed the normal walking speed and no persons or materials are allowed on the scaffold during movement. Be aware of any obstacles that could be on the ground when you roll the scaffold.

If the wind is stronger than 4 Beaufort (20-28 KPH; 13-18 MPH) it is forbidden to roll the scaffold (dust, sand and paper blow up, little leaves are torn off, windspeed is 13-20 ft/s).

You should be very careful when the scaffold is rolled over uneven or rough surfaces (inclined planes, insufficient load-carrying capacity, holes, etc.); the wheels should be free or on a brake, depending on the situation.

If you roll the scaffold, the supporting points of the outriggers should be adjusted to only be a few inches above the ground. After moving, put the supporting points on the ground again and properly resecure with couplers and locking pins.

## 8. Anchoring

The anchors must be used when the scaffold gets too unstable, e.g. by strong wind. The anchors must be solid and must be attached to both frames-posts by couplings. Anchor only on durable spots onto a construction or building. On at least every 13 feet height, at least 2 anchors must be used (so: one per frame). For connected or higher system use, be sure to have a qualified and experienced engineer approve the structure configuration along with proper anchoring points to avoid injuries, death or property damage.

## 9. Dismantling of the mobile scaffold

Dismantling is done in reversed order. Start on the top by dismantling the toe boards and toe board-holders.

Take off the platforms and guardrails, so that all parts can be transported down alongside the platforms. Dismantle the scaffold from the top to the base. Never throw parts down to the ground below or to a co-worker to avoid damage or serious injuries.



## 10. Maintenance

All parts, particularly the pivoting parts and the welding, must be inspected regularly. Lost or damaged parts must be replaced.

Custers aluminium scaffolding parts are not allowed to be used in the following cases:

- When round tubes have one or more dull dents with a depth of more than 0.11 inch.
- When round tubes have one or more dents directly next to a welding junction, in spite of the depth or shape of the dent.
- When square or rectangular tubes have one or more dull dents with a depth of more than 0.08 inch.
- When round or square tubes have one or more sharp dents or cracks (tears), regardless lengths, depth or location of these dent(s) and tears.

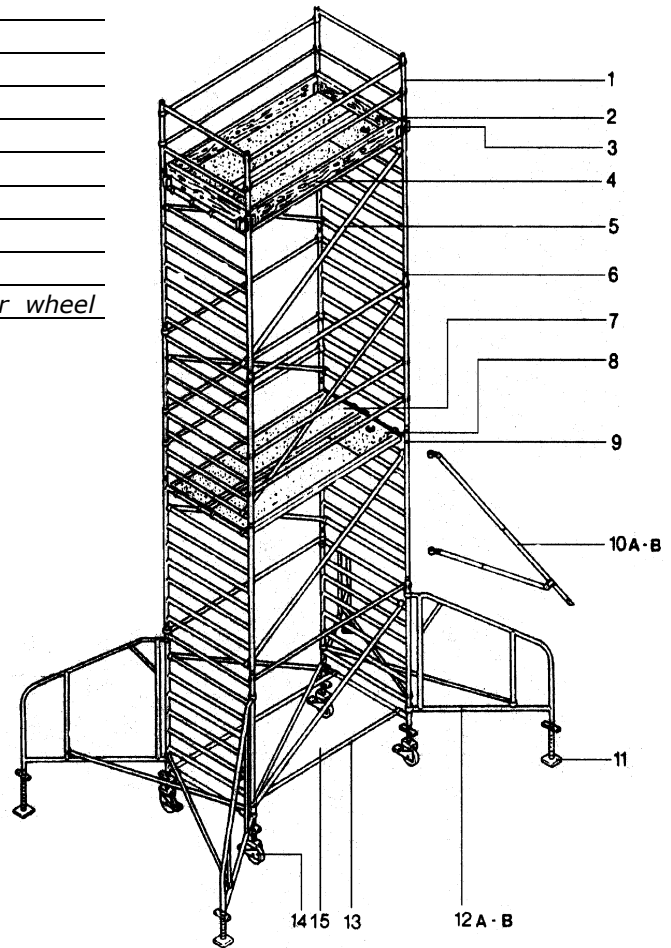
Pivoting parts, among others castor wheels, must be clean and run smoothly, Repair of scaffold-material is only possible in consultation with the manufacturer.

## 11. Spare parts

### 11.1 Components list

Picture 4

<i>pos.no.</i>	<i>part number</i>	<i>description</i>
1	9501.200.120	guardrail-frame
2	9501.200.090	toe board small
3	9501.800.087	toe board-holder
4	9501.902.080	toe board large
5	9501.902.056	diagonal
6	9501.410.162	frame securing clip
7	9501.310.030	platform
8	9501.310.035	trapdoor-platform
9	9501.200.010	8-rung frame
10A	9501.410.100	outrigger small
10B	9501.510.020	outrigger large
11	9501.520.010	jack and base plate
12A	9501.460.010	elbow outrigger small
12B	9501.470.010	elbow outrigger large
13	9501.200.040	horizontal
14	9501.510.050	synthetic jack & castor wheel
15	9501.902.050	horizontal-diagonal



### 11.2 Assembly table

In the matrices of the following pages, you will see which parts are needed erecting a scaffold with a certain platform or working height. Make sure that you received all necessary parts before attempting to erect.

## Composition matrix CUSTERS double-wide scaffold, available in 5.9 ft / 8.2 ft.

				Working height: [ft]											
				14	17	21	24	27	31	34	37	40	44	47	
				Platform height: [ft]											
				8	11	14	17	21	24	27	31	34	37	40	
Description	Part number	lbs													
8-rung frame 130	9.501.200.010	27.5		2	4	4	6	6	8	8	10	10	12	12	
Guardrail-frame 130	9.501.200.120	8.2		2		2		2		2		2		2	
Frame securing clip	9.501.410.162	0.1		4	4	8	8	12	12	16	16	20	20	24	
Toeboard 130	9.501.200.090	5.7		2	2	2	2	2	2	2	2	2	2	2	
Toeboard-holder	9.501.800.087	0.4		4	4	4	4	4	4	4	4	4	4	4	
Jack&castor wheel rubber/synthetic)	9501.510.010/050	12.6		4	4	4	4	4	4	4	4	4	4	4	
	<b>LENGTH 5.9 ft</b>		<b>LENGTH 8.2 ft</b>												
Description	Part number	lbs	Part number	lbs											
Platform wood / synthetic deck	9501.310/311.010	31.7/22.9	9501.310/311.020	44.1/31.7	1	1	1	2	2	2	2	3	3	3	3
Trapdoor platf. wood /synthetic deck	9501.310/311.015	31.7/22.9	9501.310/311.025	44.1/31.7	1	1	1	2	2	2	2	3	3	3	3
Horizontal	9.501.200.058	4.4	9.501.200.030	6.0	6	8	8	12	12	14	14	18	18	20	20
Diagonal	9.501.200.043	5.5	9.501.200.056	6.8	2	4	4	6	6	8	8	10	10	12	12
Toeboard large	9.501.200.086	5.5	9.501.200.080	10.8	2	2	2	2	2	2	2	2	2	2	2
Horizontal - diagonal	9.501.200.049	5.3	9.501.200.050	6.6	1	1	1	1	1	1	1	1	1	1	1
<b>ONLY INSIDE-USE</b>		<b>lbs</b>													
Outrigger / elbow small	9501.460.010/410.100	13.6/14.6		4	4	4	4	4	4	4	4	4	4	4	
Outrigger / elbow large	9501.470.010/420.100	18.3/20.7													4
Jack & base plate *	9501.520.010/013	11.9		4	4	4	4	4	4	4	4	4	4	4	4
Horizontal **	9.501.200.030	6.0		4	4	4	4	4	4	4	4	4	4	4	4
<b>INSIDE- / OUTSIDE-USE</b>		<b>lbs</b>													
Outrigger / elbow small	9501.460.010/410.100	13.6/14.6		4	4	4	4				x	x	x	x	
Outrigger / elbow large	9501.470.010/420.100	18.3/20.7						4	4		x	x	x	x	
Outrigger extra large	9.501.430.100	27.3								4	x	x	x	x	
Jack & base plate *	9501.520.010/013	11.9		4	4	4	4	4	4	4	x	x	x	x	
Horizontal **	9.501.200.030	5.6		4	4	4	4	4	4	4	x	x	x	x	

x = Not allowed to use outside, unless anchored.

\* = Only applicable for outrigger elbow: standard jack & baseplate 9501.520.010; jack & base plate with wing-nut 9501.520.013. Alternative for jack & base plate is: castor wheel & jack.

\*\* = Option applicable in case of use of outrigger elbow.

### REMARK:

This composition matrix is based on a working-floor of a given platform height, equipped with guardrail-horizontals, toeboards and one or more restfloors of each 13.1 ft with guardrails.

To change a rest-floor into a working-floor, you need: 2x horizontals, 4x toeboard-holder, 2x toeboard small, 2x toeboard large.

## Composition matrix CUSTERS singel-wide scaffold, available in 5.9 ft / 8.2 ft.

				Working height: [ft]											
				14	17	21	24	27	31	34	37	40	44	47	
				Platform height: [ft]											
				8	11	14	17	21	24	27	31	34	37	40	
Description	Part number	lbs													
8-rung frame 70	9.501.200.012	18.7		2	4	4	6	6	8	8	10	10	12	12	
Guardrail-frame 70	9.501.200.122	6.4		2		2		2		2		2		2	
Frame-securing clip	9.501.410.162	0.1		4	4	8	8	12	12	16	16	20	20	24	
Toeboard 70	9.501.200.092	2.6		2	2	2	2	2	2	2	2	2	2	2	
Toeboard-holder	9.501.800.087	0.4		4	4	4	4	4	4	4	4	4	4	4	
Jack&castor wheel (rubber/synthetic)	9501.510.010/050	12.6		4	4	4	4	4	4	4	4	4	4	4	
	<b>LENGTH 5.9 ft</b>		<b>LENGTH 8.2 ft</b>												
Description	Part number	lbs	Part number	lbs											
Trapdoor platf. (wood/synthetic deck)	9501.310/311.015	31.7/22.9	9501.310/311.025	44.1/31.7	1	1	1	2	2	2	2	3	3	3	3
Horizontal	9501200058	4.4	9501200030	6.0	6	8	8	12	12	14	14	18	18	20	20
Diagonal	9.501.200.043	5.5	9.501.200.056	6.8	2	4	4	6	6	8	8	10	10	12	12
Toeboard large	9.501.200.086	5.5	9.501.200.080	10.8	2	2	2	2	2	2	2	2	2	2	2
Horizontal	9.501.200.048	4.6	9.501.200.052	6.2	1	1	1	1	1	1	1	1	1	1	1
<b>ONLY INSIDE-USE</b>		<b>lbs</b>													
Outrigger / elbow small	9501.460.010/410.100	13.6/14.6		4	4	4	4								
Outrigger / elbow large	9501.470.010/420.100	18.3/20.7						4	4	4	4	4	4	4	4
Jack & base plate *	9501.520.010/013	11.9		4	4	4	4	4	4	4	4	4	4	4	4
Horizontal **	9501200048	4.6		4	4	4	4	4	4	4	4	4	4	4	4
<b>INSIDE- / OUTSIDE-USE</b>		<b>lbs</b>													
Outrigger / elbow small	9501.460.010/410.100	13.6/14.6		4	4	4	4					x	x	x	x
Outrigger / elbow large	9501.470.010/420.100	18.3/20.7						4	4			x	x	x	x
Outrigger extra large	9.501.430.100	27.3								4		x	x	x	x
Jack & base plate *	9501.520.010/013	11.9		4	4	4	4	4	4	4	4	x	x	x	x
Horizontal **	9501200048	4.6		4	4	4	4	4	4	4	4	x	x	x	x

x = Not allowed to use outside, unless anchored.

\* = Only applicable for outrigger elbow: standard jack & baseplate 9501.520.010; jack & base plate with wing-nut 9501.520.013. Alternative for jack & base plate is: castor wheel & jack.

\*\* = Option applicable in case of use of outrigger elbow.

### REMARK:

This composition matrix is based on a working-floor of a given platform height, equipped with guardrail-horizontals, toeboards and one or more restfloors of each 13.1 ft with guardrails.

To change a rest-floor into a working-floor, you need: 2x horizontals, 4x toeboard-holder, 2x toeboard small, 2x toeboard large.



Custers Hydraulica B.V.  
Smakterweg 33  
5804 AE Venray  
The Netherlands  
Tel. +31 (0) 47 85 53 000  
E-mail: [info@custers.nl](mailto:info@custers.nl)  
Website: [www.custers.nl](http://www.custers.nl)